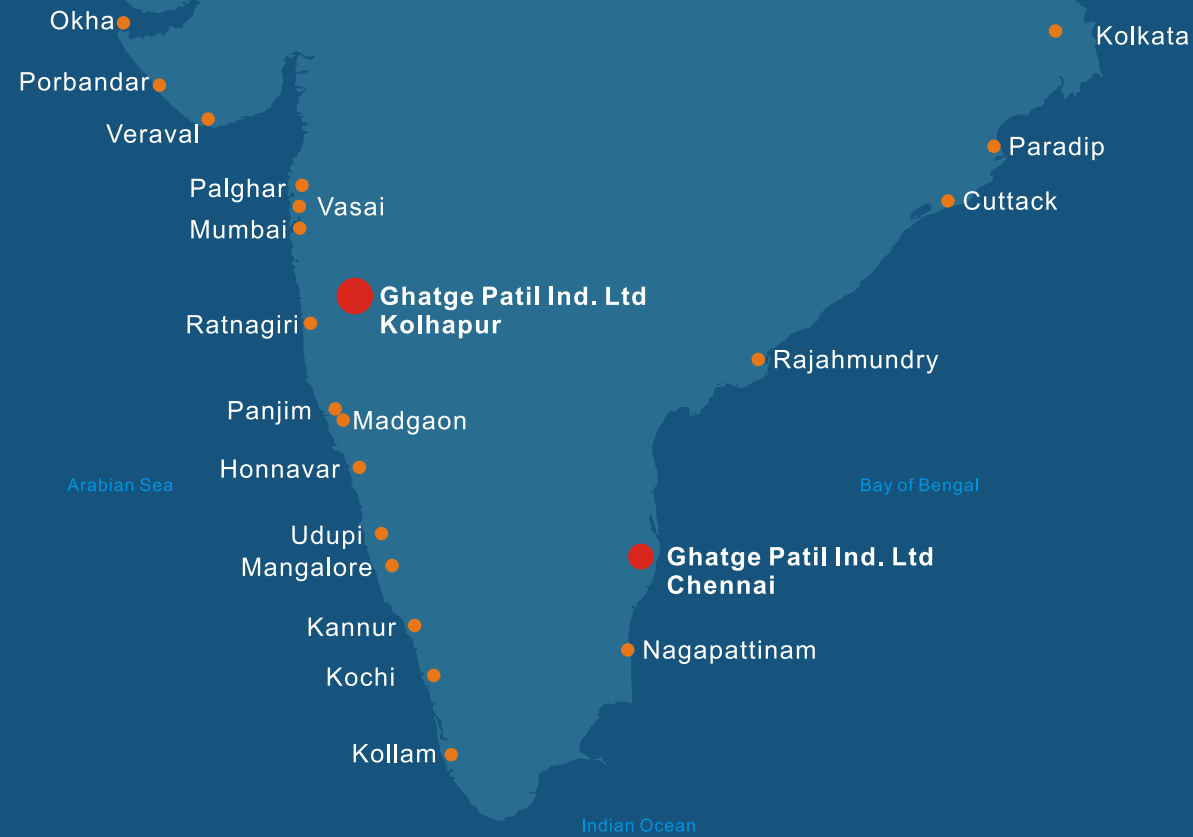


Our Dealer Network



After-Market Support

Our exclusive marine dealers located along coastline provide sales, service, genuine spares and are supported by our technical experts to give complete solution for installation and commissioning. In case of any query, or any assistance on warranty and post warranty service, please approach our service dealer. Our dealer network ensures in time service and easy availability of genuine spare parts throughout India.

For more information please log onto
Web.: www.gpi.co.in

Ver. 1.1/Sept15/VN



GHATGE PATIL INDUSTRIES LTD.
Uchgaon, Kolhapur 416 005, INDIA.

Tel.: + 91 (231) 260 8000
+ 91 (231) 260 8182
Fax.: + 91 (231) 260 8080
Email: marketing@gpi.co.in
Web.: www.gpi.co.in



Trustworthy Solution For Marine Transmissions

- Hydraulic Marine Gear Box
- Mechanical Marine Gear Box
- Marine Power Take Offs

Marine Transmissions

Ghatge Patil Industries Ltd. (GPI) product portfolio includes a comprehensive range of marine transmission system. This selection guide is intended to help the user to select an appropriate GPI Marine Product. Over the past four decades, GPI has been contributing to the marine segment with the Gearboxes used in fishing vessels for applications like trawling, purse seining and other applications like passenger launches, sailing vessels etc.

Hydraulic Marine Gear Box

Ghatge Patil Industries Ltd. Hydraulic Marine Gearboxes are designed and manufactured with advanced technology which provides a smooth and trouble free operation as well as a Extended service life. Hydraulic Marine Gearboxes have been the first choice of customers, as these gearboxes provide excellent operating characteristics. Thousands of HG series gearboxes are already giving reliable service to the customers.

Salient Features

- Smooth Actuation
- High Reliability
- Equal power transmission in both ahead and astern direction
- Power range up to 260HP at 2000 RPM
- Special Feature of clutch engagement mechanically during hydraulic system failure
- Case hardened and precisely ground gears gives long life as well as smooth running
- Smooth and reliable hydraulic shifting with control lever for attachment of push pull cable
- Suitable for twin engine installation
- Less Maintenance

Applications of Ghatge Patil Marine Gear boxes

- Fishing Boats
- Cargo Vessels
- Passenger Boats/ Ferry Launches
- DA 5 is also used at Dams.
- Purse Seining

Specification	HG 7	HG 10	HG 11
Rating	7 HP/ 100 RPM	10 HP/ 100 RPM	11 HP/ 100 RPM
Maximum Rating in HP	140	200	200
Continuous Torque in Kg M	50	67	78
Maximum Speed in RPM	2000	2000	2000
Reduction Ratio	4, 3, 2	4	4.5
Weight Kgs	195	275	200

Newly Launched

Specification	HG 13	HG 25
Rating	13 HP/ 100 RPM	25 HP/ 100 RPM
Maximum Rating in HP	260	500
Continuous Torque in Kg M	93	180
Maximum Speed in RPM	2000	2000
Reduction Ratio	4.5, 5.29, 3, 4	4.48
Weight Kgs	300	370

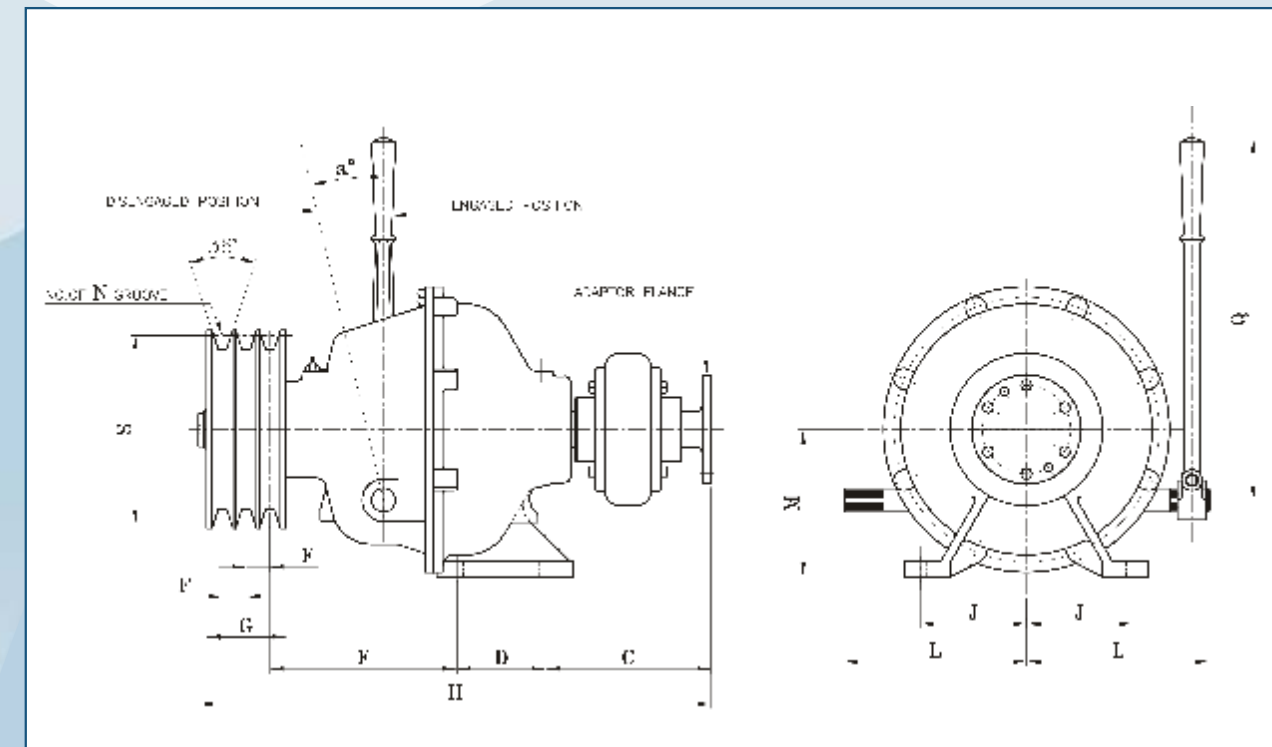
Newly Launched

Upcoming Model



GP1070 M GP1100 M

Layout Drawing



Installation Dimensions

MODEL	C	D	E	F	G	H	J	L	M	N	Q	S	a
GP 1070 M	2:1	95	200	25.5	85.5	542	114.3	197	159	3	390.5	257.2	13"
GP 1100 M	3:1	128	217		111	690	203		206.5	4	390.5	257.2	15"

All Dimensions are in MM

Marine Power Take Offs

Ghatge Patil Industries Ltd. Marine Power Take offs (PTO) are specially designed to use as front Power Take Offs to drive the winch on fishing boats. These are also suitable for other industrial applications where self-supporting unit is desired. Our PTO is backed up by our own rigid quality standards of precision manufacturing at par with international specifications.

Salient Features

- Rigid enclosed casing provides protection against corrosion
- Dry type clutch plate unit with molded asbestos clutch plate is useful for positive transmission of power
- Very Easy to install
- Self supporting structure
- Flexible input coupling eliminates misalignment
- Adequate support on side bearings.

Applications of Ghatge Patil Marine PTO

- Fishing Boats & Tugs
- Industrial Applications

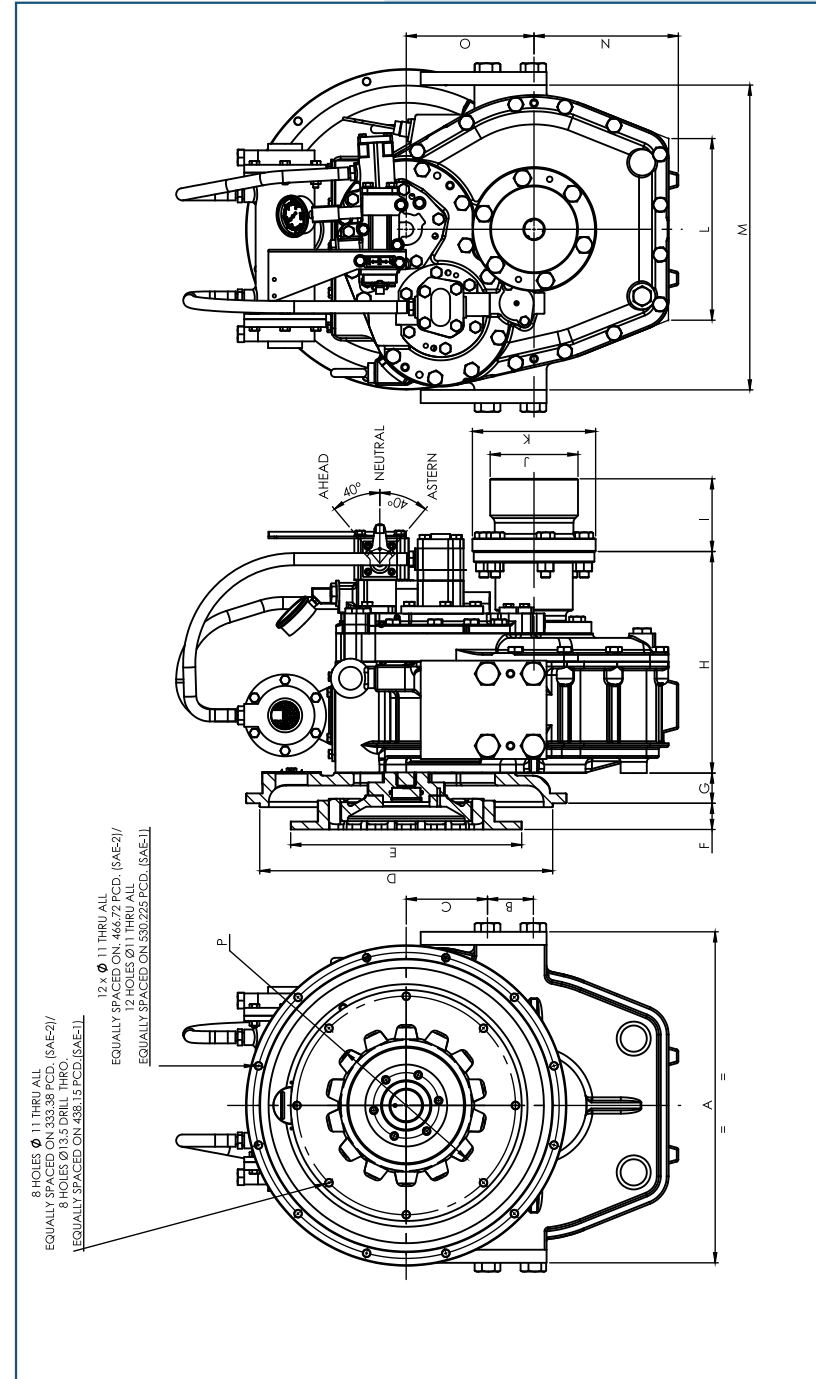
Specification	GP 1070 M	GP 1100 M
Maximum Rating in HP	26	47
Continous Torque in Kg M	18.14	34.16
Maximum Speed in RPM	3200	2675
Weight Kgs	85	130

Newly Launched



HG 11, HG 13, HG 25

Layout Drawing



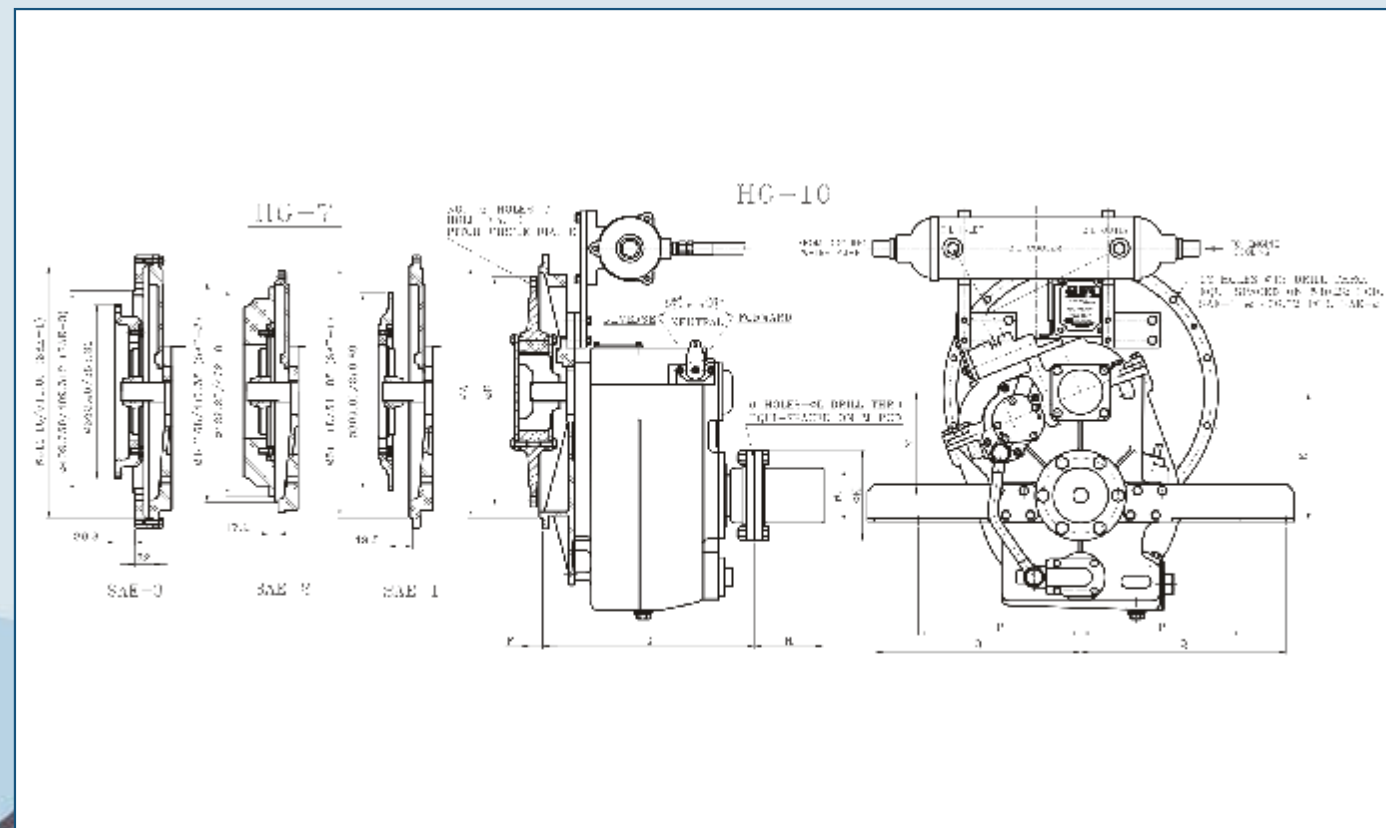
Sl. No.	MODEL	SAE RATIO	A	B	C	ØD	ØE	F	G	H	I	ØJ	ØK	L	M	N	O	ØP
1	HG-11	2	(4:1)	505 (19.8)	70 (2.7)	124 (4.8)	447.6 (17.6)/447.5 (17.6)	40 (1.5)	46 (1.8)	338 (13.3)	111 (4.3)	134 (5.2)	188 (7.4)	277 (10.9)	465 (18.3)	220 (8.6)	195 (7.6)	246 (9.6)
2	HG-11	2	(5:1)	505 (19.8)	70 (2.7)	124 (4.8)	447.6 (17.6)/447.5 (17.6)	40 (1.5)	46 (1.8)	337.9 (13.3)	111 (4.3)	134 (5.2)	188 (7.4)	277 (10.9)	465 (18.3)	220 (8.6)	195 (7.6)	246 (9.6)
3	HG-13	1	(3:1)	535 (21.06)	70 (2.7)	124 (4.8)	511.08 (20.1)/511.05 (20.1)	40 (1.5)	46 (1.8)	337.9 (13.3)	111 (4.3)	134 (5.2)	188 (7.4)	316 (12.4)	495 (19.4)	243.5 (9.5)	216 (8.5)	297 (11.6)
4	HG-13	1	(3:1)	535 (21.06)	70 (2.7)	124 (4.8)	447.6 (17.6)/447.5 (17.6)	40 (1.5)	46 (1.8)	337.9 (13.3)	111 (4.3)	134 (5.2)	188 (7.4)	316 (12.4)	495 (19.4)	243.5 (9.5)	216 (8.5)	297 (11.6)
5	HG-13	2	(4:1)	535 (21.06)	70 (2.7)	124 (4.8)	511.08 (20.1)/511.05 (20.1)	40 (1.5)	46 (1.8)	337.9 (13.3)	111 (4.3)	134 (5.2)	188 (7.4)	316 (12.4)	495 (19.4)	243.5 (9.5)	216 (8.5)	297 (11.6)
6	HG-13	2	(4:1)	535 (21.06)	70 (2.7)	124 (4.8)	447.6 (17.6)/447.5 (17.6)	40 (1.5)	46 (1.8)	337.9 (13.3)	111 (4.3)	134 (5.2)	188 (7.4)	316 (12.4)	495 (19.4)	243.5 (9.5)	216 (8.5)	297 (11.6)
7	HG-13	1	(5.29:1)	610 (24.01)	70 (2.7)	124 (4.8)	511.08 (20.1)/511.05 (20.1)	40 (1.5)	46 (1.8)	337.9 (13.3)	111 (4.3)	134 (5.2)	188 (7.4)	385 (15.1)	570 (22.4)	295 (11.6)	274 (10.7)	297 (11.6)
8	HG-13	2	(5.29:1)	610 (24.01)	70 (2.7)	124 (4.8)	447.6 (17.6)/447.5 (17.6)	40 (1.5)	46 (1.8)	337.9 (13.3)	111 (4.3)	134 (5.2)	188 (7.4)	385 (15.1)	570 (22.4)	295 (11.6)	274 (10.7)	297 (11.6)
9	HG-25	1	(4.47:1)	557.5 (21.9)	70 (2.7)	15 (0.5)	511.12 (20.122)	20.7 (0.8)	64.5 (2.5)	408.2 (16.07)	220 (8.6)	200 (7.8)	318 (12.5)	335.5 (13.2)	537.5 (20.5)	522 (20.5)	85 (3.3)	391.5 (11.4)

All Dimensions are in mm (inches)



HG 7 / HG 10

Layout Drawing



Installation Dimensions

MODEL	øA		øB	C	øD	E	F	G	H	øJ	øK	øL	M	N	P	Q	R
	SAE -1	SAE -2															
HG-7	511.18	-	399.99	12	8.73	381	49.5	-1.0	140	90	146	12.5	120.65	183.2	216	244.6	214
	511.05	-	399.89		11	403.23	17.15	362									
HG-10	511.18	-	466.70	8	13.5	438.15	25.4	-1.0	200	112	184	17.5	152.4	200	328.5	415.5	262.5
	511.05	-	466.65		8	438.15	34.92	414									

All Dimensions are in MM

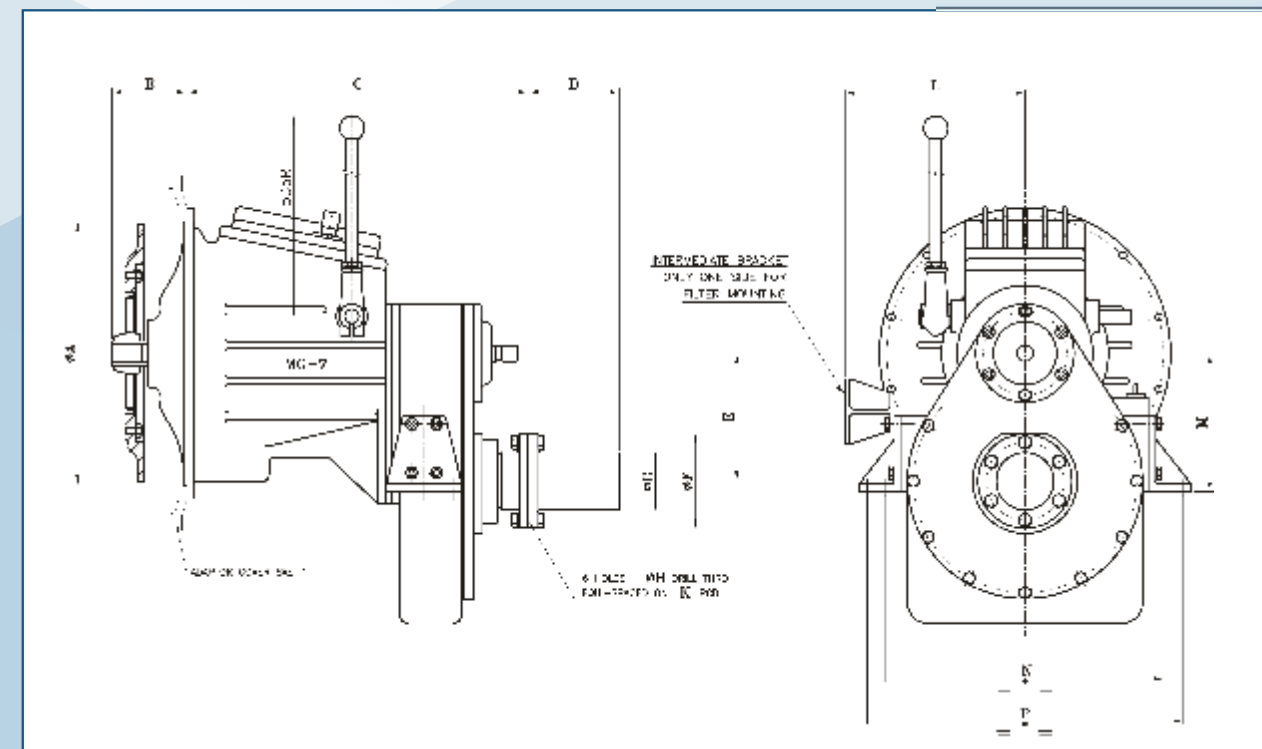
Mechanical Marine Gear Box

Mechanical Marine Gearboxes manufactured by Ghatge Patil Industries Limited are extensively used by the fishing community. These models Exist in the market for more than four decades and have retained their reliability even in adverse conditions. Mechanical Gearboxes are designed for use in Fishing Vessels and Ferry Boats. These Gearboxes are compact and rugged in structure and also, very easy for maintenance. Wet type multiplate clutch used in Mechanical Gearbox is capable of transmitting full engine torque continuously during forward drive. This feature gives a long run operation of Gearbox. Our Mechanical Gearboxes are available up to 140 HP range.



Specification	DA 5	MG 7
Rating	5 HP/ 100 RPM	7 HP/ 100 RPM
Maximum Rating in HP	100 HP	140 HP
Continous Torque in Kg M	35	50
Maximum Speed in RPM	2000	2000
Reduction Ratio	2	4, 3, 2
Weight Kgs	80	182

Layout Drawing



Installation Dimensions

MODEL	RATIO	A	B	C	D	E	øF	øG	øH	K	L	M	N	P
DA-5	2:1	266.7	96	477.4	105.5	95.25	120	68	11.5	98.5	-	-	-	-
	2:1					120.65					212			
MG-7	3:1	409.7	116.5	528.6	141.3	158.75	146	89	12.5	120.65	240.6	214.3	431.8	488.9
	4:1					198.45					278.7			

All Dimensions are in MM